

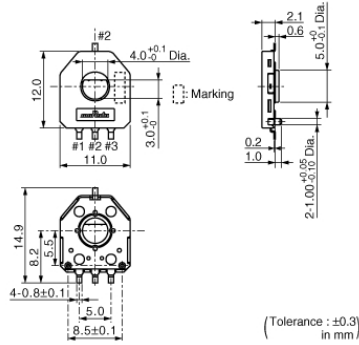
SV01A103AEA01R00

Discontinued

RoHS

REACH

Appearance & Shape



Features

1. Excellent resistance materials and high reliability wiper achieves 1M cycles.
2. D formation thru-hole rotor enables selection of any kind of gear shape.
3. Ultra-thin size (2.1mm height)


Packaging Information

| Packaging | Specifications | Standard Packing Quantity |
|-----------|---------------------|---------------------------|
| R00 | 330mm Embossed Tape | 1000 |

Attention

1. This datasheet is downloaded from the website of Murata Manufacturing Co., Ltd. Therefore, its specifications are subject to change or our products in it may be discontinued without advance notice. Please check with our sales representatives or product engineers before ordering.
2. This datasheet has only typical specifications because there is no space for detailed specifications.
Therefore, please review our product specifications or consult the approval sheet for product specifications before ordering.

SV01A103AEA01R00



Specifications

| | |
|--|---|
| Operating Temperature Range | -40°C to 85°C |
| Shape | SMD |
| Total Resistance Value | 10kΩ |
| Total Resistance Value Tolerance | ±30% |
| Linearity | ±2% |
| Effective Rotational Angle (typ.) | 333.3° |
| Temperature Coefficient of Resistance | ±500ppm/°C |
| Rotational Life(max.) | 1M cycles |
| Torque(max.) | 2mN.m (Ref.:21gf.cm) |
| Rated Voltage | 5Vdc |
| Withstanding Voltage | 250Vac, 1 min., Leakage current 50 micro A max. |
| Insulation Resistance(min.) | 100MΩ |
| Measure Condition of Insulation Resistance | 250Vdc |
| Mass | 0.36g |

Attention

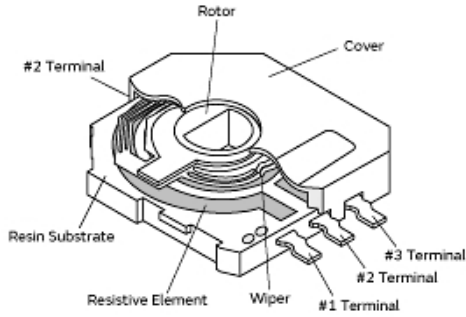
1.This datasheet is downloaded from the website of Murata Manufacturing Co., Ltd. Therefore, it's specifications are subject to change or our products in it may be discontinued without advance notice. Please check with our sales representatives or product engineers before ordering.

2.This datasheet has only typical specifications because there is no space for detailed specifications.

Therefore, please review our product specifications or consult the approval sheet for product specifications before ordering.

SV01A103AEA01R00

Product Data



Constructions

Attention

- 1.This datasheet is downloaded from the website of Murata Manufacturing Co., Ltd. Therefore, it's specifications are subject to change or our products in it may be discontinued without advance notice. Please check with our sales representatives or product engineers before ordering.
- 2.This datasheet has only typical specifications because there is no space for detailed specifications.
Therefore, please review our product specifications or consult the approval sheet for product specifications before ordering.